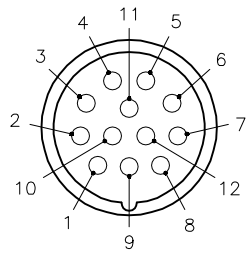
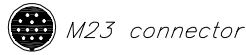
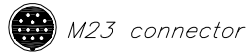
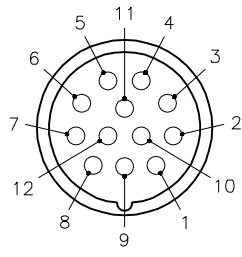


MALE END VIEW

FEMALE END VIEW

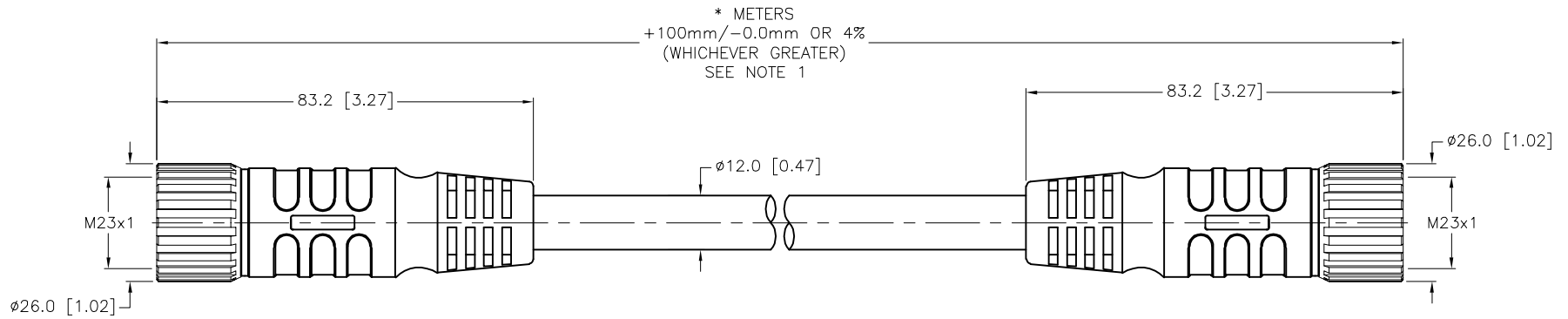


- 1 = BROWN
- 2 = BLUE
- 3 = WHITE
- 4 = GRN/YEL
- 5 = ORANGE
- 6 = YELLOW
- 7 = GRAY
- 8 = PINK
- 9 = RED
- 10 = BRN/WHT
- 11 = BLU/WHT
- 12 = GRN/WHT



SPECIFICATIONS

CONTACT CARRIER MATERIAL	NYLON or PBT
MOLDED HEAD MATERIAL/COLOR	TPU/BLACK
CONTACT MATERIAL/PLATING	BRASS/GOLD
COUPLING NUT MATERIAL/PLATING	BRASS/NICKEL
RATED CURRENT [A]	6.0 A
RATED VOLTAGE [V]	300 V
OUTER JACKET MATERIAL/COLOR	TPE/YELLOW
CONDUCTOR INSULATION MATERIAL	POLYESTER ELASTOMER
CONDUCTORS	12x18 AWG
TEMPERATURE RATING	-40°C to +105°C (-40°F to +221°F)
PROTECTION CLASS	IEC IP67



NOTES:

1. "*" INDICATES CABLE LENGTH IN METERS. CONTACT TURCK TO ORDER SPECIFIC LENGTHS.
2. "/S101" DESIGNATES FLEXLIFE-20 AND CTRACK CABLE

SOURCE DRAWING - FOR REFERENCE ONLY

RELATED DOCUMENTS 1. 2. 3. 4.	3RD ANGLE PROJECTION	THIS DRAWING IS CONFIDENTIAL AND THE PROPERTY OF TURCK INC. USE OF THIS DOCUMENT WITHOUT WRITTEN PERMISSION IS PROHIBITED.	<p>3000 CAMPUS DRIVE MINNEAPOLIS, MN 55441 1-800-544-7769 (763) 553-7300 (763) 553-0708 fax www.turck.us</p>	
MATERIAL	SEE SPECIFICATIONS	DRFT RWC	DATE 11/10/06	DESCRIPTION
FINISH	SEE SPECIFICATIONS	APVD	SCALE 1=1.5	CSM CKM 12-12-*/S101
		UNIT OF MEASUREMENT		IDENTIFICATION NO.
		MILLIMETER [INCH]		REV
		DO NOT SCALE THIS DRAWING		H
H	UPDATED DRAWING	AS	07/02/24	80364
REV	DESCRIPTION	BY	DATE	ECO NO.